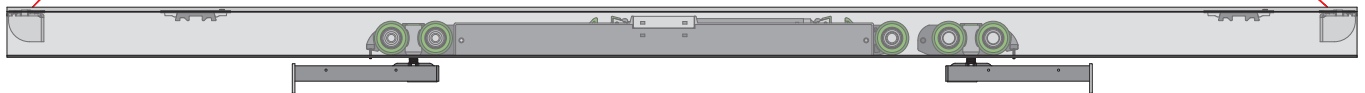
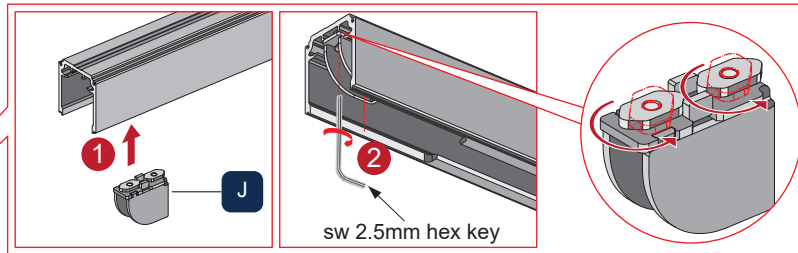
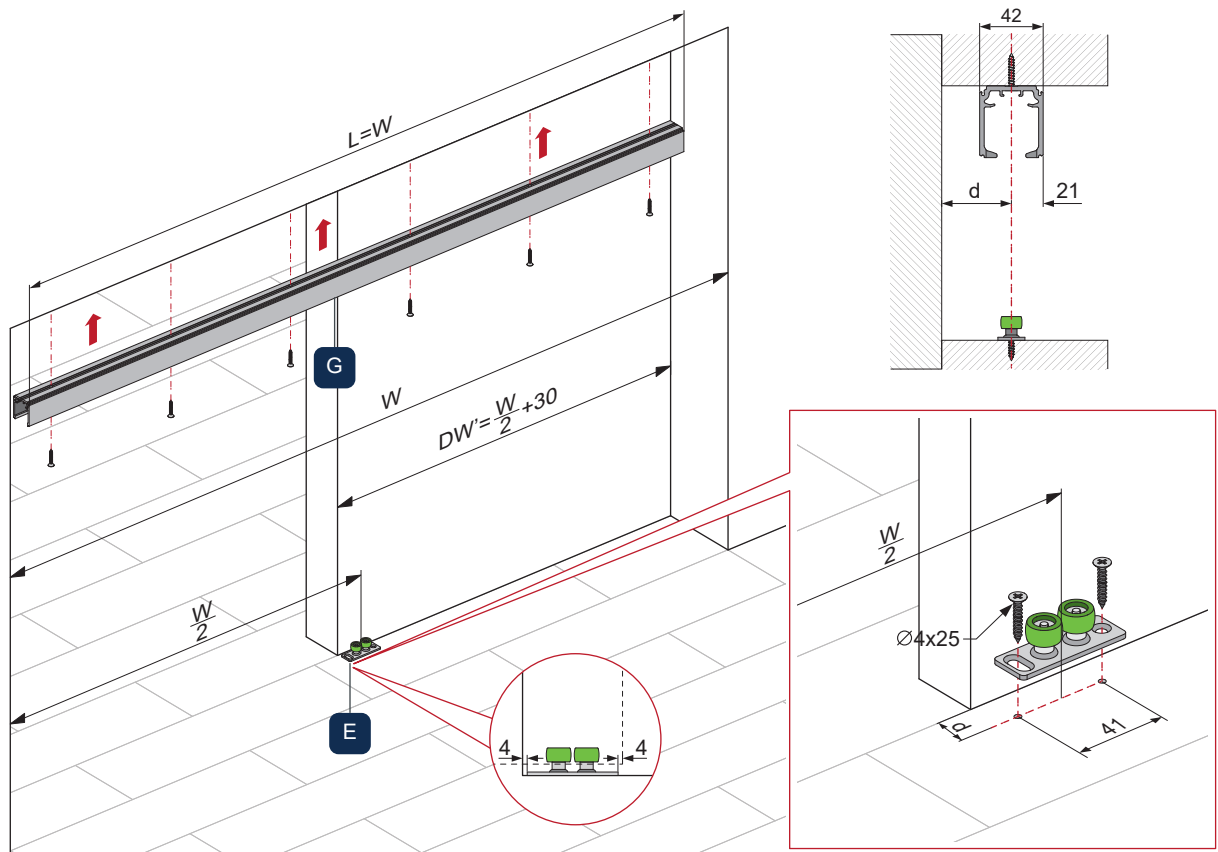


2

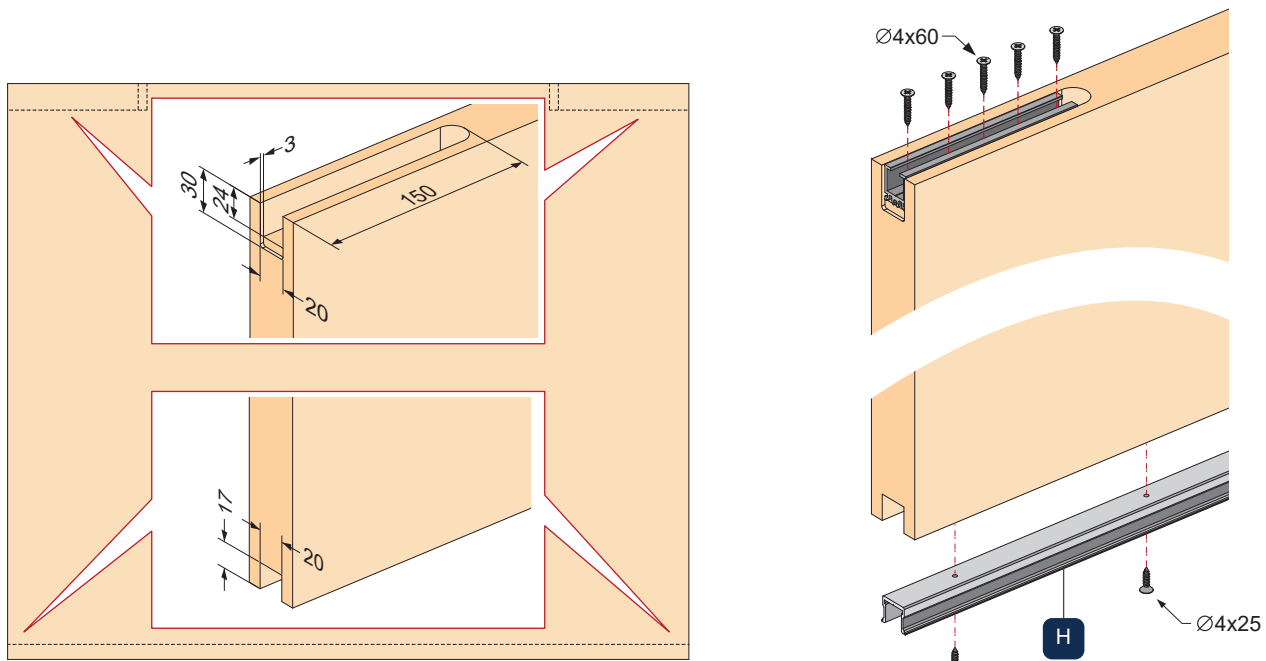
Fix the stoppers to both sides of the track



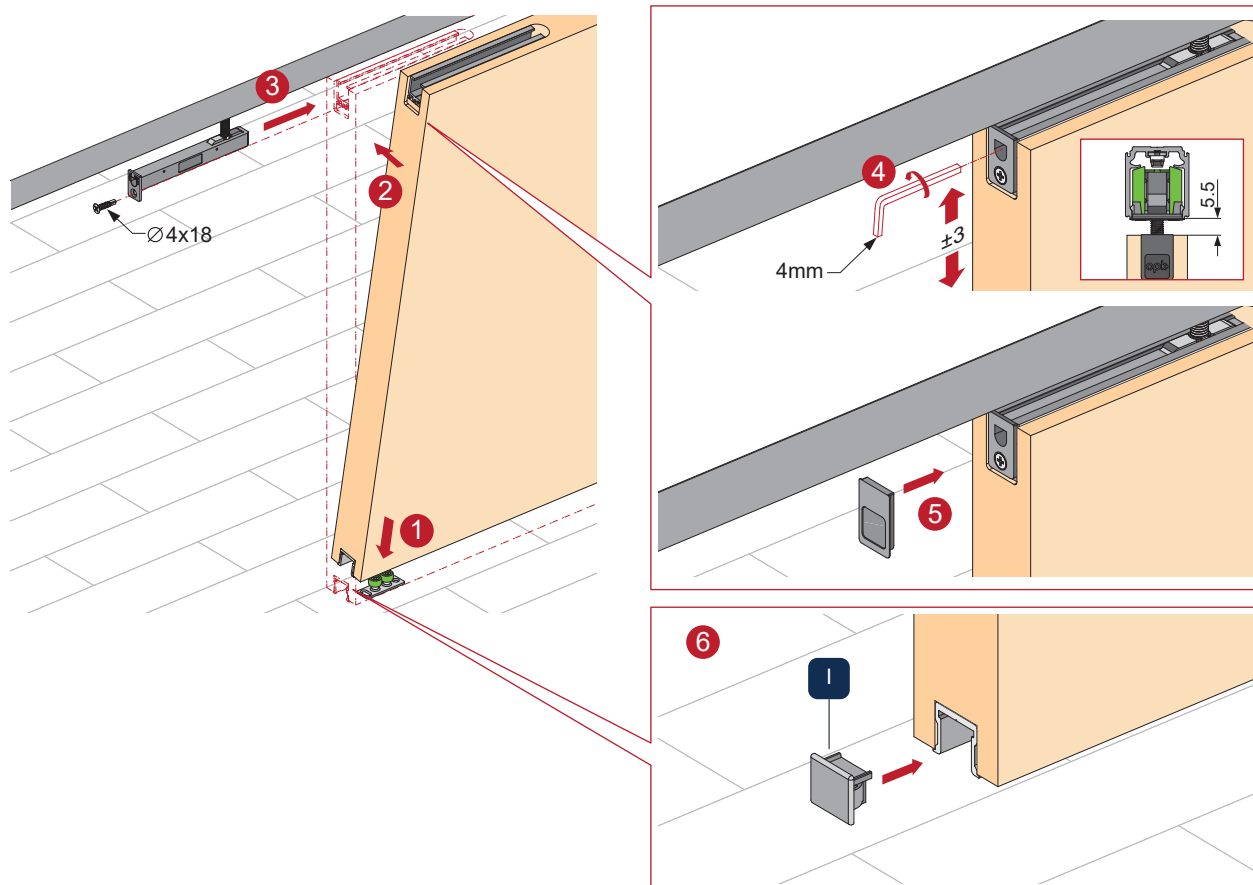
3



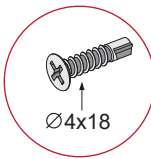
4



5



6



First adjust the activator,
then fix it with the safety screw!

