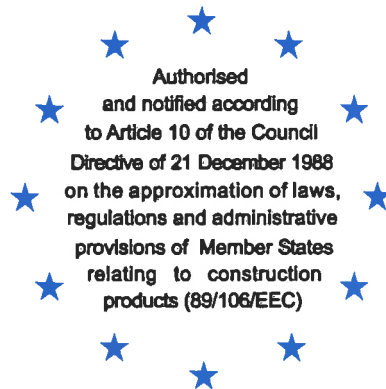


Deutsches Institut für Bautechnik

Anstalt des öffentlichen Rechts

Kolonnenstr. 30 L
10829 Berlin
Germany

Tel.: +49(0)30 787 30 0
Fax: +49(0)30 787 30 320
E-mail: dibt@dibt.de
Internet: www.dibt.de



DIBt

Mitglied der EOTA
Member of EOTA

European Technical Approval ETA-07/0142

English translation prepared by DIBt - Original version in German language

Handelsbezeichnung

Trade name

fischer Einschlaganker EA II

fischer drop-in anchor EA II

Zulassungsinhaber

Holder of approval

fischerwerke GmbH & Co. KG

Weinhalde 14-18
72178 Waldachtal
DEUTSCHLAND

Zulassungsgegenstand und Verwendungszweck

*Generic type and use
of construction product*

Wegkontrolliert spreizender Dübel in den Größen M6, M8, M10
und M12 für die Verwendung als Mehrfachbefestigung von
nichttragenden Systemen in Beton

*Deformation-controlled expansion anchor of sizes M6, M8, M10 and M12
for multiple use for non-structural applications in concrete*

Geltungsdauer:

Validity:

vom
from
bis
to

6 February 2008

26 June 2012

Herstellwerk

Manufacturing plant

fischerwerke

Diese Zulassung umfasst

This approval contains

14 Seiten einschließlich 6 Anhänge

14 pages including 6 annexes

Diese Zulassung ersetzt

This approval replaces

ETA-07/0142 mit Geltungsdauer vom 27.06.2007 bis 26.06.2012

ETA-07/0142 with validity from 27.06.2007 to 26.06.2012



Europäische Organisation für Technische Zulassungen
European Organisation for Technical Approvals

I LEGAL BASES AND GENERAL CONDITIONS

- 1 This European technical approval is issued by Deutsches Institut für Bautechnik in accordance with:
 - Council Directive 89/106/EEC of 21 December 1988 on the approximation of laws, regulations and administrative provisions of Member States relating to construction products¹, modified by Council Directive 93/68/EEC² and Regulation (EC) N° 1882/2003 of the European Parliament and of the Council³;
 - Gesetz über das In-Verkehr-Bringen von und den freien Warenverkehr mit Bauprodukten zur Umsetzung der Richtlinie 89/106/EWG des Rates vom 21. Dezember 1988 zur Angleichung der Rechts- und Verwaltungsvorschriften der Mitgliedstaaten über Bauprodukte und anderer Rechtsakte der Europäischen Gemeinschaften (Bauproduktengesetz - BauPG) vom 28. April 1998⁴, zuletzt geändert durch Gesetz vom 06.01.2004⁵;
 - Common Procedural Rules for Requesting, Preparing and the Granting of European technical approvals set out in the Annex to Commission Decision 94/23/EC⁶;
 - Guideline for European technical approval of "Metal anchors for use in concrete - Part 6: Anchors for multiple use for non-structural applications", ETAG 001-06.
- 2 Deutsches Institut für Bautechnik is authorized to check whether the provisions of this European technical approval are met. Checking may take place in the manufacturing plant. Nevertheless, the responsibility for the conformity of the products to the European technical approval and for their fitness for the intended use remains with the holder of the European technical approval.
- 3 This European technical approval is not to be transferred to manufacturers or agents of manufacturers other than those indicated on page 1, or manufacturing plants other than those indicated on page 1 of this European technical approval.
- 4 This European technical approval may be withdrawn by Deutsches Institut für Bautechnik, in particular pursuant to information by the Commission according to Article 5(1) of Council Directive 89/106/EEC.
- 5 Reproduction of this European technical approval including transmission by electronic means shall be in full. However, partial reproduction can be made with the written consent of Deutsches Institut für Bautechnik. In this case partial reproduction has to be designated as such. Texts and drawings of advertising brochures shall not contradict or misuse the European technical approval.
- 6 The European technical approval is issued by the approval body in its official language. This version corresponds fully to the version circulated within EOTA. Translations into other languages have to be designated as such.

1 Official Journal of the European Communities L 40, 11.02.1989, p. 12

2 Official Journal of the European Communities L 220, 30.08.1993, p. 1

3 Official Journal of the European Union L 284, 31.10.2003, p. 25

4 Bundesgesetzblatt I, p. 812

5 Bundesgesetzblatt I, p.2, 15

6 Official Journal of the European Communities L 17, 20.01.1994, p. 34

II SPECIFIC CONDITIONS OF THE EUROPEAN TECHNICAL APPROVAL

1 Definition of the construction product and intended use

1.1 Definition of the product

The fischer drop-in anchor EA II in the size of M6, M8, M10x30, M8x40, M10 and M12 is an anchor made of galvanised or stainless steel respectively which is placed into a drilled hole and anchored by deformation-controlled expansion.

An illustration of the installed anchor is given in Annex 1.

The fixture shall be anchored with a fastening screw or threaded rod according to Annex 4.

1.2 Intended use

The anchor is intended to be used for anchorages for which requirements for safety in use in the sense of the Essential Requirements 4 of Council Directive 89/106 EEC shall be fulfilled and failure of the fixture represents an immediate risk to human life. The anchor is to be used only for multiple use for non-structural applications. The definition of multiple use according to the Member States is given in the informative Annex 1 of ETAG 001, Part 6.

The anchor may be used for anchorages with requirements related to resistance to fire.

The anchor is to be used only for anchorages subject to static or quasi-static loading in reinforced or unreinforced normal weight concrete of strength classes C20/25 at minimum and C50/60 at most according to EN 206-1:2000-12. It may be anchored in cracked or non-cracked concrete.

fischer drop-in anchor EA II (galvanised steel):

The anchor made of galvanised steel may only be used in structures subject to dry internal conditions.

fischer drop-in anchor EA II A4 (stainless steel):

The anchor made of stainless steel may be used in structures subject to dry internal conditions and also in structures subject to external atmospheric exposure (including industrial and marine environment), or exposure in permanently damp internal conditions, if no particular aggressive conditions exist. Such particular aggressive conditions are e.g. permanent, alternating immersion in seawater or the splash zone of seawater, chloride atmosphere of indoor swimming pools or atmosphere with extreme chemical pollution (e.g. in desulphurization plants or road tunnels where de-icing materials are used).

The provisions made in this European technical approval are based on an assumed working life of the anchor of 50 years. The indications given on the working life cannot be interpreted as a guarantee given by the producer, but are to be regarded only as a means for choosing the right products in relation to the expected economically reasonable working life of the works.

2 Characteristics of product and methods of verification

2.1 Characteristics of product

The anchor corresponds to the drawings and provisions given in Annex 2. The characteristic material values, dimensions and tolerances of the anchor not given in Annex 2 shall correspond to the respective values laid down in the technical documentation⁷ of this European technical approval.

Regarding the requirements concerning safety in case of fire it is assumed that the anchor meets the requirements of class A1 in relation to reaction to fire in accordance with the stipulations of the Commission decision 96/603/EC, amended by 2000/605/EC.

The characteristic values for the design of anchorages are given in Annex 5, Table 7.

The characteristic values for the design of the anchorages regarding resistance to fire are given in Annex 6, Table 8. They are valid for use in a system that is required to provide a specific fire resistance class.

Each anchor is marked according to Annex 1 with the identifying mark of the producer, the trade name and the size of thread. In addition, each anchor made of stainless steel is marked with the letters "A4".

In addition, the expansion sleeve for anchor sizes M8x40 and M10x30 is marked on the top of the sleeve.

The anchor shall only be packaged and supplied as a complete unit.

2.2 Methods of verification

The assessment of fitness of the anchor for the intended use in relation to the requirements for safety in use in the sense of the Essential Requirements 4 has been made in accordance with the "Guideline for European Technical Approval of Metal Anchors for use in concrete", Part 1 "Anchors in general" and Part 6 "Anchors for multiple use for non-structural applications".

The assessment of the anchor for the intended use in relation to the requirements for resistance to fire has been made in accordance with the Technical Report TR 020 "Evaluation of anchorages in concrete concerning resistance to fire".

In addition to the specific clauses relating to dangerous substances contained in this European technical approval, there may be other requirements applicable to the products falling within its scope (e.g. transposed European legislation and national laws, regulations and administrative provisions). In order to meet the provisions of the Construction Products Directive, these requirements need also to be complied with, when and where they apply.

3 Evaluation and attestation of conformity and CE marking

3.1 System of attestation of conformity

According to the decision 97/161/EG of the European Commission⁸ the system 2(ii) (referred to as system 2+) of attestation of conformity applies.

This system of attestation of conformity is defined as follows:

⁷ The technical documentation of this European technical approval is deposited at the Deutsches Institut für Bautechnik and, as far as relevant for the tasks of the approved bodies involved in the attestation of conformity procedure, is handed over to the approved bodies.

⁸ Official Journal of the European Communities L 67 of 03.02.1997

System 2+: Declaration of conformity of the product by the manufacturer on the basis of:

- (a) Tasks for the manufacturer:
 - (1) initial type-testing of the product;
 - (2) factory production control;
 - (3) testing of samples taken at the factory in accordance with a prescribed test plan.
- (b) Tasks for the approved body:
 - (4) certification of factory production control on the basis of:
 - initial inspection of factory and of factory production control;
 - continuous surveillance, assessment and approval of factory production control.

Note: Approved bodies are also referred to as "notified bodies".

3.2 Responsibilities

3.2.1 Tasks of the manufacturer

3.2.1.1 Factory production control

The manufacturer shall exercise permanent internal control of production. All the elements, requirements and provisions adopted by the manufacturer shall be documented in a systematic manner in the form of written policies and procedures, including records of results performed. This production control system shall insure that the product is in conformity with this European technical approval.

The manufacturer may only use initial / raw / constituent materials stated in the technical documentation of this European technical approval.

The factory production control shall be in accordance with the control plan of June 2007 which is part of the technical documentation of this European technical approval. The control plan is laid down in the context of the factory production control system operated by the manufacturer and deposited at Deutsches Institut für Bautechnik.⁹

The results of factory production control shall be recorded and evaluated in accordance with the provisions of the control plan.

3.2.1.2 Other tasks of manufacturer

The manufacturer shall, on the basis of a contract, involve a body which is approved for the tasks referred to in section 3.1 in the field of the anchor in order to undertake the actions laid down in section 3.3. For this purpose, the control plan referred to in sections 3.2.1.1 and 3.2.2 shall be handed over by the manufacturer to the approved body involved.

The manufacturer shall make a declaration of conformity, stating that the construction product is in conformity with the provisions of this European technical approval.

3.2.2 Tasks of approved bodies

The approved body shall perform the following tasks in accordance with the provisions laid down in the control plan:

- initial inspection of factory and of factory production control,
- continuous surveillance, assessment and approval of factory production control.

The approved body shall retain the essential points of its actions referred to above and state the results obtained and conclusions drawn in a written report.

The approved certification body involved by the manufacturer shall issue an EC certificate of conformity of the factory production control stating the conformity with the provisions of this European technical approval.

⁹

The control plan is a confidential part of the European technical approval and only handed over to the approved body involved in the procedure of attestation of conformity. See section 3.2.2.

In cases where the provisions of the European technical approval and its control plan are no longer fulfilled the certification body shall withdraw the certificate of conformity and inform Deutsches Institut für Bautechnik without delay.

3.3 CE marking

The CE marking shall be affixed on each packing of the anchor. The letters "CE" shall be followed by the identification number of the approved certification body, where relevant, and be accompanied by the following additional information:

- the name and address of the producer (legal entity responsible for the manufacture),
- the last two digits of the year in which the CE marking was affixed,
- the number of the EC certificate for the factory production,
- the number of the European technical approval,
- the number of the guideline for European technical approval,
- use category (ETAG 001-6),
- size.

4 Assumptions under which the fitness of the product for the intended use was favourably assessed

4.1 Manufacturing

The European technical approval is issued for the product on the basis of agreed data/information, deposited with Deutsches Institut für Bautechnik, which identifies the product that has been assessed and judged. Changes to the product or production process, which could result in this deposited data/information being incorrect, should be notified to Deutsches Institut für Bautechnik before the changes are introduced. Deutsches Institut für Bautechnik will decide whether or not such changes affect the approval and consequently the validity of the CE marking on the basis of the approval and if so whether further assessment or alterations to the approval shall be necessary.

4.2 Installation

4.2.1 Design of anchorages

The fitness of the anchor for the intended use is given under the following conditions:

The anchorages are designed in accordance with the "Guideline for European technical approval of Metal Anchors for Use in Concrete", Annex C, Method B or C, under the responsibility of an engineer experienced in anchorages and concrete work.

Verifiable calculation notes and drawings are prepared taking account of the loads to be anchored.

The position of the anchor is indicated on the design drawings (e.g. position of the anchor relative to reinforcement or to supports).

The minimum strength class and the minimum screwing depth of the fastening screw or threaded rod for installation of the fixture shall be met the requirements according to Annex 4. The length of the fastening screw or threaded rod shall be defined according to the requirements given in Annex 4, taking into account the available thread length, the minimum screwing depth, the thickness of fixture and tolerances of member and fixture.

The design of anchorages under fire exposure has to consider the conditions given in the Technical Report TR 020 "Evaluation of anchorages in concrete concerning resistance to fire". The relevant characteristic values are given in Annex 6, Table 8. The design method covers anchors with a fire attack from one side only. If the fire attack is from more than one side, the design method may be taken only, if the edge distance of the anchor is $c \geq 300$ mm.

4.2.2 Installation of anchors

The fitness for use of the anchor can only be assumed if the anchor is installed as follows:

- Anchor installation carried out by appropriately qualified personnel and under the supervision of the person responsible for technical matters of the site.
- Use of the anchor only as supplied by the manufacturer without exchanging the components of an anchor.
- Anchor installation in accordance with the manufacturer's specifications and drawings and using the appropriate tools.
- Checks before placing the anchor to ensure that the strength class of the concrete in which the anchor is to be placed is in the range given and is not lower than that of the concrete to which the characteristic loads apply.
- Check of concrete being well compacted, e.g. without significant voids.
- Positioning of the drill holes without damaging the reinforcement.
- Clearing of the hole of drilling dust.
- Keeping of the edge distance and spacing to the specified values without minus tolerances.
- Anchor installation such that the effective setting depth is complied with. This compliance is ensured, if the anchor is completely set into the drill hole.
- In case of aborted hole: new drilling at a minimum distance away of twice the depth of the aborted hole or smaller distance if the aborted drill hole is filled with high strength mortar and if under shear or oblique tension load it is not in the direction of load application.
- Anchor expansion by impact on the cone using the setting tools given in Annex 2 and 3. The anchor is properly set if the stop of the setting tool reaches the expansion sleeve. The manual setting tool with installation control leaves a visible mark on the sleeve as illustrated in Annex 3.
- The fastening screw or threaded rod shall correspond to the requirements given in Annex 4.
- Installation torque moments are not required for functioning of the anchor. However, the torque moments given in Annex 4 must not be exceeded.

4.2.3 Responsibility of the manufacturer

It is in the responsibility of the manufacturer to ensure that the information on the specific conditions according to 1 and 2 including Annexes referred to and 4.2.1 and 4.2.2 is given to those who are concerned. This information may be made by reproduction of the respective parts of the European technical approval. In addition all installation data shall be shown clearly on the package and/or on an enclosed instruction sheet, preferably using illustration(s).

The minimum data required are:

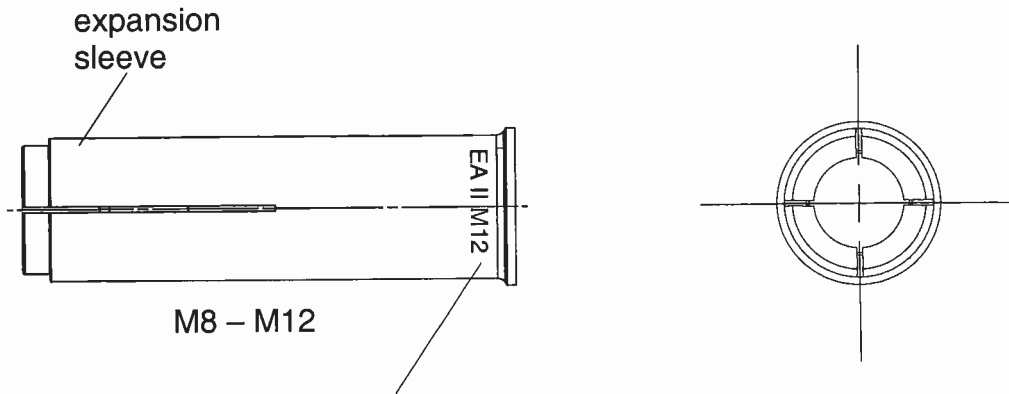
- drill bit diameter,
- thread diameter,
- minimum effective anchorage depth,
- available thread length and minimum screwing depth of the fastening screw or threaded rod,
- material and required strength class of the fastening screw or threaded rod according to Annex 2,
- minimum hole depth,
- torque moment,
- information on the installation procedure, including cleaning of the hole, preferably by means of an illustration,
- reference to any special installation equipment needed,
- identification of the manufacturing batch.

All data shall be presented in a clear and explicit form.

Dipl.-Ing. E. Jasch
President of Deutsches Institut für Bautechnik
Berlin, 4 February 2008

beglaubigt:
Giessmann

fischer drop-in anchor EA II

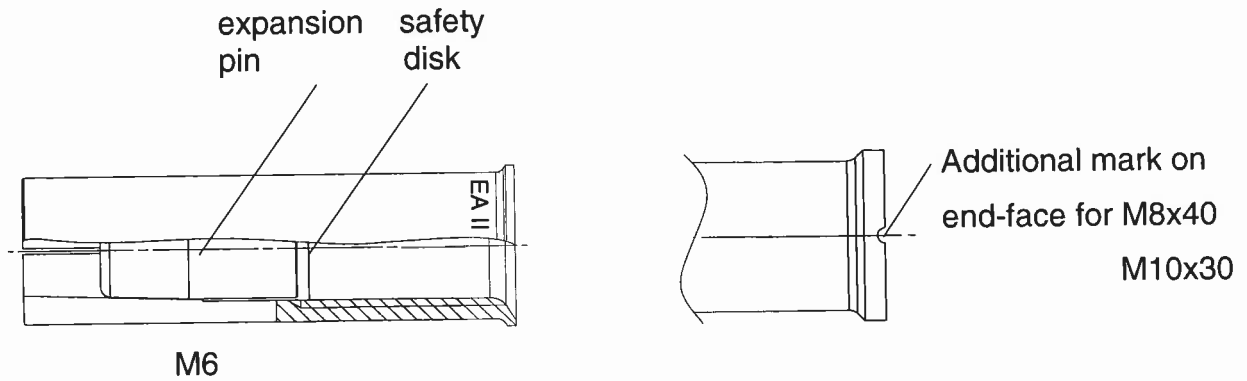


Marking e.g.:

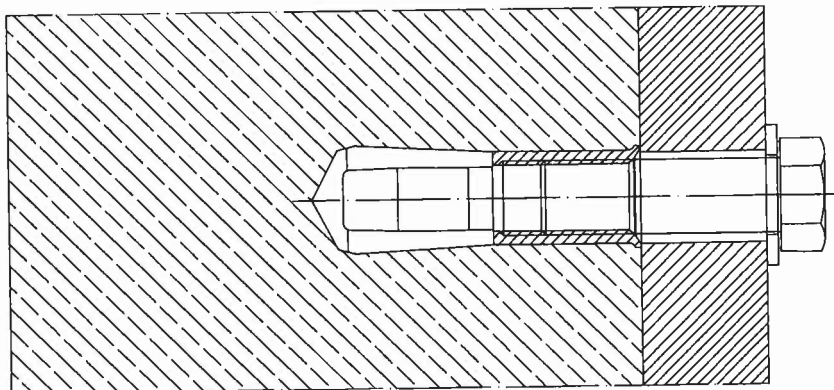
⊕ EA II M12 (galvanised steel)

⊕ EA II M12 A4 (stainless steel)

Marking at M8x40, M10x30 e.g.: ⊕ EA II M8x40; ⊕ EA II M8x40 A4



Intended use: Only for multiple use for non-structural applications according to ETAG 001 Part 6



Doc: ETA-EA II-E

fischer drop-in anchor EA II

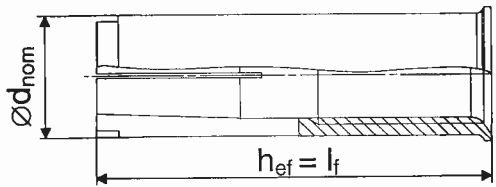
Product and intended use

Annex 1

of European technical approval

ETA - 07/0142

① EA II expansion sleeve



② EA II-Expansion pin

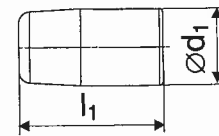


Table 1: Dimensions

Anchor size EA II	M6	M8	M8x40	M10x30	M10	M12
$h_{ef} = l_f$ [mm]	30	30	40	30	40	50
d_{nom} [mm]	8	10	10	12	12	15
d_1 [mm]	5	6,5	6,5	8,2	8,2	10
l_1 [mm]	14	13,5	13,5	13	18	20

Table 2: Materials

		Material	
Part No.	Designation	galvanised steel ($\geq 5 \mu\text{m}$)	stainless steel
1	Anchor body	ASTM A29/A29M, EN 10263	1.4401, 1.4404, 1.4439 or 1.4571 according EN 10088
2	expansion pin	ASTM A29/A29M, EN 10263	
	fastening screw or threaded rod	steel, property class 4.6, 5.6, 5.8 or 8.8 according to EN ISO 898-1	1.4401, 1.4404, 1.4439 or 1.4571, property class 70 or 80 according EN ISO 3506

machines setting tool EA II S-SDS

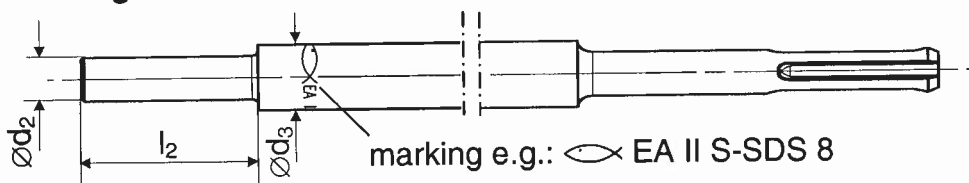


Table 3: Dimensions of machines setting tool

machines setting tool	Anchor size EA II	d_2 [mm]	d_3 [mm]	l_2 [mm]
EA II S-SDS 6	M6	4,8	9	17
EA II S-SDS 8	M8	6	11	18
EA II S-SDS 8x40	M8x40	6	11	28
EA II S-SDS 10x30	M10x30	7	13	18
EA II S-SDS 10	M10	7	13	24
EA II S-SDS 12	M12	10	16,5	30

Doc: ETA-EA II-E

fischer drop-in anchor EA II

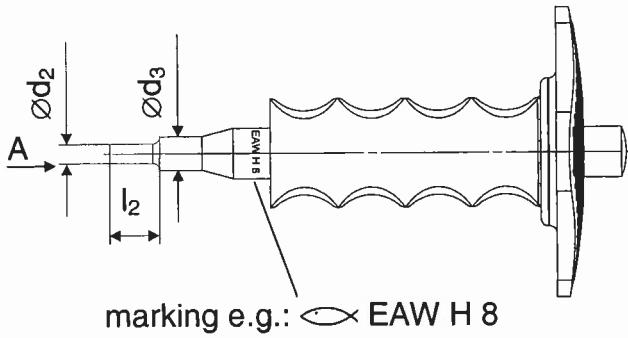
Materials and dimensions

Annex 2

of European
technical approval

ETA - 07/0142

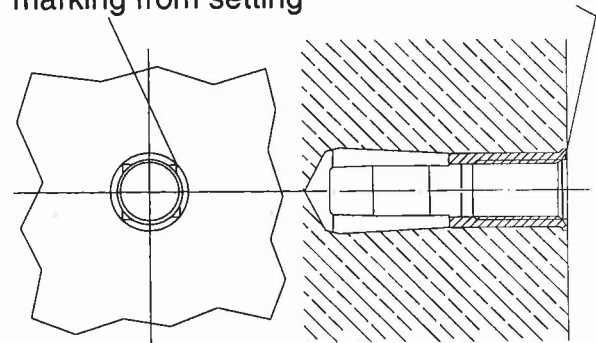
Manual setting tool EAW H with Installation control



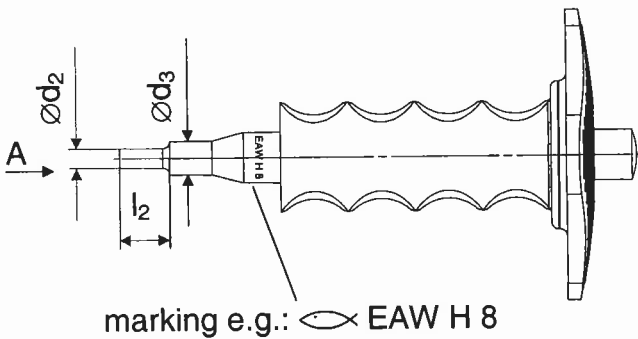
View A:



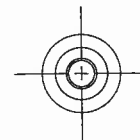
marking from setting



Manual setting tool EAW H without Installation control



View A:



Manual setting tool also without hand protection possible:

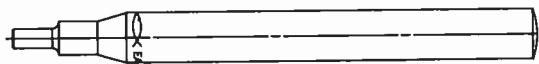


Table 4: Dimensions of manual setting tool

manual setting tool	Anchor size EA II	d ₂ [mm]	d ₃ [mm]	l ₂ [mm]
EAW H 6	M6	4,8	9	17
EAW H 8	M8	6	11	18
EAW H 8x40	M8x40	6	11	28
EAW H 10x30	M10x30	7	13	18
EAW H 10	M10	7	13	24
EAW H 12	M12	10	16,5	30

Doc: ETA-EA II-E

fischer drop-in anchor EA II

Manual setting tool

Annex 3

of European
technical approval

ETA - 07/0142

Table 5: EA II Installation data

Anchor size	Drill hole diameter	Thread diameter	Depth of hole	Effective anchorage depth	Maximum screwing depth	Minimum screwing depth	Tightening torque	Clearance of hole diameter
EA II	d_0 [mm]	M [mm]	h_1 [mm]	h_{ef} [mm]	$l_{s,max}$ [mm]	$l_{s,min}$ [mm]	max. T_{inst} [Nm]	d_f [mm]
M6	8	6	32	30	13	6	4	7
M8	10	8	33	30	13	8	8	9
M8x40	10	8	43	40	13	8	8	9
M10x30	12	10	33	30	13	10	15	12
M10	12	10	43	40	17	10	15	12
M12	15	12	54	50	22	12	35	14

fastening screw or threaded rod:

- Minimum property class and materials see table 2
- Minimum screwing depth is $l_{s,min}$
- The length of the fastening screw shall be determined depending on thickness of fixture t_{fix} , admissible tolerances and available screw length $l_{s,max}$ as well as minimum screwing depth $l_{s,min}$

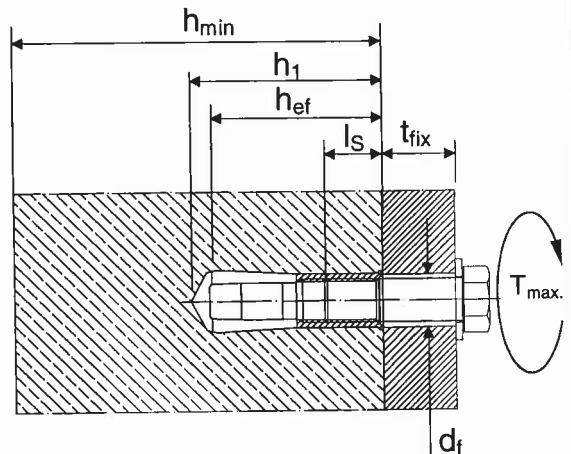


Table 6: Minimum thickness of concrete member, minimum spacing and minimum edge distances of anchors

Anchor size	Minimum thickness of concrete member	Minimum spacing	Minimum edge distance
EA II	h_{min} [mm]	s_{min} [mm]	c_{min} [mm]
M6	100	65	115
	80	200	150
M8	100	95	140
	80	200	150
M8x40	100	95	140
	80	200	150
M10x30	120	85	140
	80	200	150
M10	120	95	160
	80	250	200
M12	120	145	200
	100	300	300

Doc: ETA-EA II-E

fischer drop-in anchor EA II

Installation data and component measures

Annex 4

of European
technical approval

ETA - 07/0142

Table 7: Design method B and C - Characteristic resistance for all load directions in concrete C20/25 to C50/60

EA II		property class	M6	M8	M8x40	M10x30	M10	M12
All load directions								
Characteristic resistance in concrete C20/25 to C50/60	F_{Rk}^0 ¹⁾ [kN]	A4-70 / ≥ 4.6	3	5	5	5	7,5	9
Partial safety factor	γ_M ²⁾		2,16 ³⁾					1,8 ⁴⁾
Characteristic edge distance (design method B)	c_{cr} [mm]		45	45	60	45	100	150
Characteristic spacing distance (design method B)	s_{cr} [mm]		90	90	120	90	200	300
Shear load with lever arm								
Characteristic resistance	$M_{Rk,s}^0$ ⁵⁾ [Nm]	A4-70	11	26	26	52	52	92
Partial safety factor	γ_{Ms} ²⁾		1,56					
Characteristic resistance	$M_{Rk,s}^0$ ⁵⁾ [Nm]	steel 4.6	6,1	15	15	30	30	52
Partial safety factor	γ_{Ms} ²⁾		1,67					
Characteristic resistance	$M_{Rk,s}^0$ ⁵⁾ [Nm]	steel 5.6	7,6	19	19	37	37	66
Partial safety factor	γ_{Ms} ²⁾		1,67					
Characteristic resistance	$M_{Rk,s}^0$ ⁵⁾ [Nm]	steel 5.8	7,6	19	19	37	37	66
Partial safety factor	γ_{Ms} ²⁾		1,25					
Characteristic resistance	$M_{Rk,s}^0$ ⁵⁾ [Nm]	steel 8.8	12	30	30	60	60	105
Partial safety factor	γ_{Ms} ²⁾		1,25					

¹⁾ The anchor is to be used only for multiple use for non-structural applications, the definition of multiple use according to the Member States is given in the informative Annex 1 of ETAG 001 Part 6 (see: www.eota.be)

²⁾ In absence of other national regulations

³⁾ The installation safety factor $\gamma_2=1,2$ is included

⁴⁾ The installation safety factor $\gamma_2=1,0$ is included

⁵⁾ Characteristic bending moment $M_{Rk,s}^0$ for the equation (5.5) in ETAG 001, Annex C

**Only for multiple use for non-structural applications
according to ETAG 001 Part 6 Annex 1**

Table 8: Design method B and C - Characteristic resistance under fire exposure in concrete C20/25 to C50/60

fire resistance class	EA II	property class	M6	M8	M8x40	M10x30	M10	M12
All load directions for galvanised- and stainless steel								
R 30	Characteristic resistance ¹⁾ $F_{Rk,fi}^0$ [kN]	steel ≥ 4.6 or A4-70	0,6	0,9	1,3	0,9	1,8	2,3
R 60			0,5	0,9	0,9	0,9	1,5	2,3
R 90			0,4	0,6	0,6	0,9	0,9	2,0
R 120			0,3	0,5	0,5	0,6	0,6	1,3
R 30 – R 120	edge distance	$c_{cr,fi}$ [mm]	115	140	140	140	160	200
	spacing distance	$s_{cr,fi}$ [mm]	120	120	160	120	160	200
In case of fire attack from more than one side, the edge distance shall be ≥ 300 mm.								

¹⁾ In absence of other national regulations, a partial safety factor for the resistance of $\gamma_{m,fi}=1,0$ under fire stress is recommended